

# Elara Class B Tabletop Autoclaves

## For Medical & Dental Clinics





# Elara Class B Tabletop Autoclaves

## Exceptional Performance & Exceptional Results

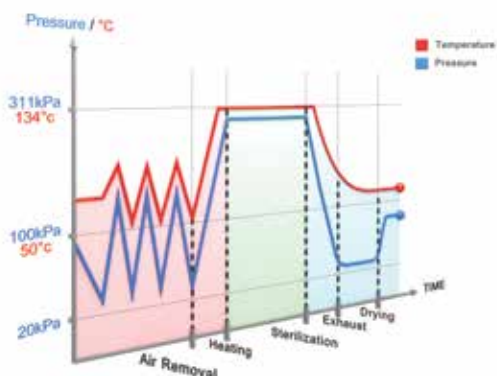
The Elara tabletop autoclave is a reliable and robust Class B Autoclave designed for the needs of modern clinics where autoclaves are expected to meet sophisticated international standards and operate non-stop every day. Elara Autoclaves are designed for the sterilization processing needs of Medical Clinics, Dental Clinics and Veterinary Clinics.

As a family owned business Tuttnauer has manufactured products for over 95 years that have developed a reputation for their quality, high performance, sophisticated features, and ability to satisfy customer expectations. Tuttnauer's sterilization and infection control products are trusted at over 350 000 autoclave installations throughout the world.

**LONG LASTING AUTOCLAVE | CONVENIENT | 30% ENERGY SAVER | EXTRA CAPACITY | SAFETY**

### Class B Performance

Class B performance is achieved with a built-in vacuum pump used for fractionated pre vacuum air removal eliminating air pockets from all load types and maximizing efficient steam penetration throughout the entire load. After the sterilization stage the vacuum pump is used for post-vacuum drying.





## LONG LASTING AUTOCLAVE

### Top Quality Stainless Steel

- Durable 316L stainless steel electro-polished chamber lasts longer than competing 304 stainless steel chambers
- Stainless steel door with mirror polish surface is highly resistant to corrosion

### Built-in system for checking water quality

- Automatic water quality checking will alert the user of poor water quality, protecting the autoclave chamber from corrosive minerals found in poor water.



## CONVENIENT

### Water Filling

- Front water filling allows you to use the space above the autoclave
- Top water filling is also available
- Automatic feed water (optional) will automatically fill the autoclave reservoir with water



### Door

- Self-locking door designed to easily close/open door with one hand



## ENERGY SAVER

- **Sleep Mode** - allows user to set time to switch sterilizer to minimum energy consumption
- **Low Rate Cycle** - you can run your sterilizer when electrical power costs are low, like after work hours, by setting a delayed start time.



## SAFETY

### Safety Features

- Two different locking mechanisms prevent the door from opening while the chamber is pressurized
- Cycle will not start if the door is not locked
- Door will not open at end of cycle until chamber pressure equalizes to room pressure



## 30% EXTRA CAPACITY

### 30% More Tray Area

- You get extra tray space compared to other autoclaves that offer 17 to 20 liter chambers
- Extra capacity per cycle requires less cycles per day, saving you energy costs and water



Standard Tray Capacity

Tuttnauer Tray Capacity

# Control Panel

## Innovative Multi-Color Display

A bright LCD panel for easy reading, with multilingual interface (26 languages).



### Cycle Parameters

Parameter settings for temperature, sterilization time and drying time



### Real-Time Measured Values

Shows real-time values for chamber temperature & pressure, and generator pressure

### Easy Pad

A user-friendly 3 button keypad enables the user to easily browse through the sterilization cycle program settings and user directories

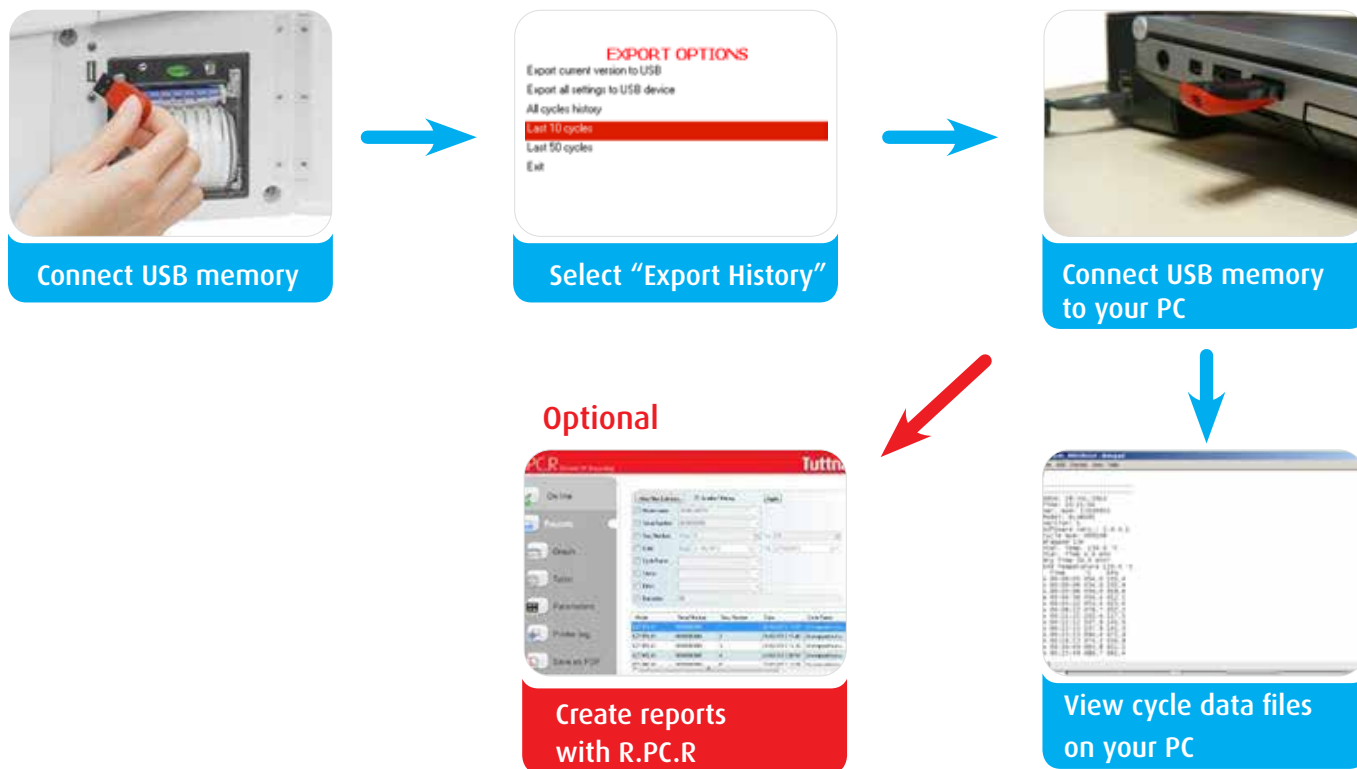
### Thermal Printer

Optional high quality built-in thermal printer for paper printouts



## Digital Cycle Data on Your PC

Save cycle data files on your PC with no additional software or specialized hardware



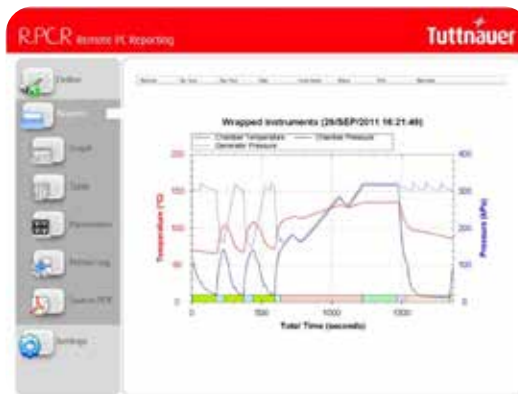
## R.PC.R Software

Remote PC Reporting (optional PC software)

### Automatic Recording of Cycle Information to Your PC

#### Reporting You Can Rely On

- Automatic recording of cycle information to any PC on your network (Ethernet connection at back of autoclave)
- Convenient access to graphs and tables that are easy to understand
- Easily generate PDF reports
- No need to file printouts, saving you time



## Standards and Directives

Partial list of standards and directives:

### Pressure Vessel

All pressure vessels and boilers are certified according to ASME code section I and section VIII, Div. I and PED 2014/68/EU - Pressure Equipment Directive

### Quality Standards

- ISO 9001:2015 - Quality Management Systems
- EN ISO 13485:2016 - Quality Management System - Medical Devices

### Directives

- MDD 93/42/EEC amended in Directive 2007/47/EEC
- 2012/19/EU WEEE and EU 2017/2102 Restriction of the use of certain hazardous substances (RoHS Directive)

### Standards

- ANSI/AAMI/ST8:2013 (R2018), FDA 510K cleared (Elara 11)
- EN 13060:2014+A1:2018 "Small steam sterilizers"
- IEC 61010-1:2010/AMD1:2016/COR1:2019 :Corrigendum 1 - Amendment 1 - Safety requirements for electrical equipment for measurement, control, and laboratory use - Part 1: General requirements
- EN 61326-1: 2013 Electrical Equipment for EMC Requirements
- EN 61010-2-40: 2015 Safety requirements for sterilizers used to treat medical materials

# Elara 9D

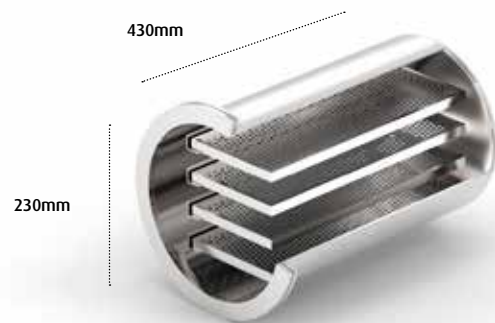
## High Speed Class B

- Fast cycles with powerful built-in steam generator



Elara 9 loaded with 4 stainless steel trays (handle included)

**19.8 Liter** 316L Stainless Steel Chamber



### Technical Specification

Model	Chamber Volume Liters	No. of Trays	Usable Tray Area (D x W) (in mm)	Standard Pouch Capacity	Voltage (V) Freq. (Hz)	Power(W) Current (A)
Elara 9D	19.8 L	4 Trays	415 x 170	16 Pouches	230V 50/60Hz	2200W/10A
Elara11D	28.5 L	6 Trays	415 x 170	24 Pouches	230V 50/60Hz	2200W/10A

## Elara 11D

### High Speed Class B

- Fast cycles with powerful built-in steam generator

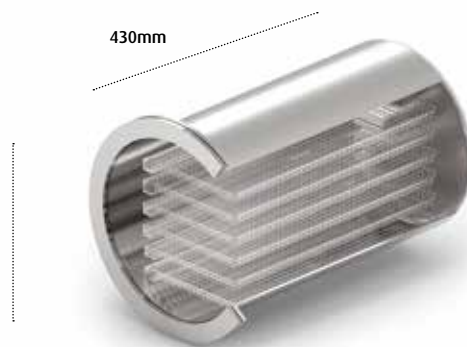


Elara 11 loaded with 6 stainless steel trays (handle included)

**28.5 Liter** 316L Stainless Steel Chamber

280mm

430mm



### Sterilization Programs

**5 pre-set programs**, 2 test programs Bowie & Dick and Leak test, and 20 customizable programs.

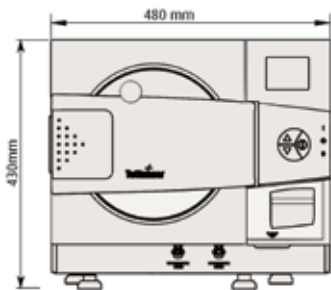
**Bowie & Dick test**, also suitable for Helix test device, includes 3.5 min sterilization time without drying.

**Leak test** checks that the chamber under vacuum does not leak.

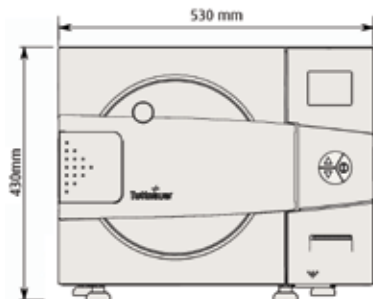
Cycle Program	Load Type	Temp. C°	Sterilization Time (min)	Dry Time (min)		Cycle Time (min)*	
				Elara 9D Elara 11D	Elara 9D	Elara 11D	
<b>Unwrapped 134</b>	Unwrapped instruments	134	4	1	17	21	
<b>Wrapped 134</b>	Wrapped instruments	134	4	20	24	27	
<b>Unwrapped 121</b>	Unwrapped delicate instruments	121	20	1	32	34	
<b>Wrapped 121</b>	Wrapped delicate instruments	121	20	20	34	37	
<b>Prion 134</b>	Prion	134	18	20	34	41	

\* Cycle times are based on 1.5 kg standard load and do not include drying. Cycle times based on warm chamber and may change according to load size.

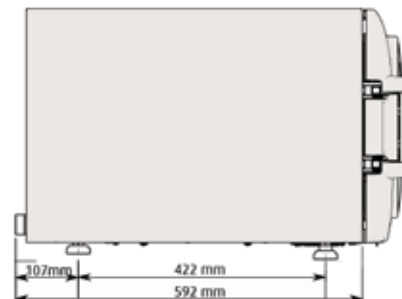
Elara 9D front view



Elara 11D front view



Elara 9D / 11D side view



## Complimentary Products

### Sealing Machine

Ensures that sterilized instruments remain sealed after sterilization and maintain perfect sterility during their shelf-life.



### Water Distiller

Use mineral-free water to protect your autoclave and instruments at a fraction of the cost of bottled distilled water.



### Ultra Sonic Cleaner

Ultrasonic cleaning is a safe and efficient procedure that ensures perfect cleaning.



Learn from our Experts  
Join our blog [www.tuttnauer.com/blog](http://www.tuttnauer.com/blog)



## Tabletop Line

International Sales and Marketing  
E-mail: [info@tuttnauer.com](mailto:info@tuttnauer.com)  
[www.tuttnauer.com](http://www.tuttnauer.com)

Tuttnauer Europe b.v.  
Hoeksteen 11, 4815 PR  
P.O.B. 7191, 4800 GD Breda  
The Netherlands  
Tel: +31 (0) 765 423 510 Fax: +31 (0) 765 423 540  
E-mail: [info@tuttnauer.nl](mailto:info@tuttnauer.nl)

Tuttnauer USA Co.  
25 Power Drive,  
Hauppauge, NY 11788  
Tel: +800 624 5836, +631 737 4850 Fax: +631 737 0720  
E-mail: [info@tuttnauerUSA.com](mailto:info@tuttnauerUSA.com)

  
**Tuttnauer**  
Your Sterilization & Infection Control Partners

Distributed by: